

OP4240-1 - 16 Analog Inputs

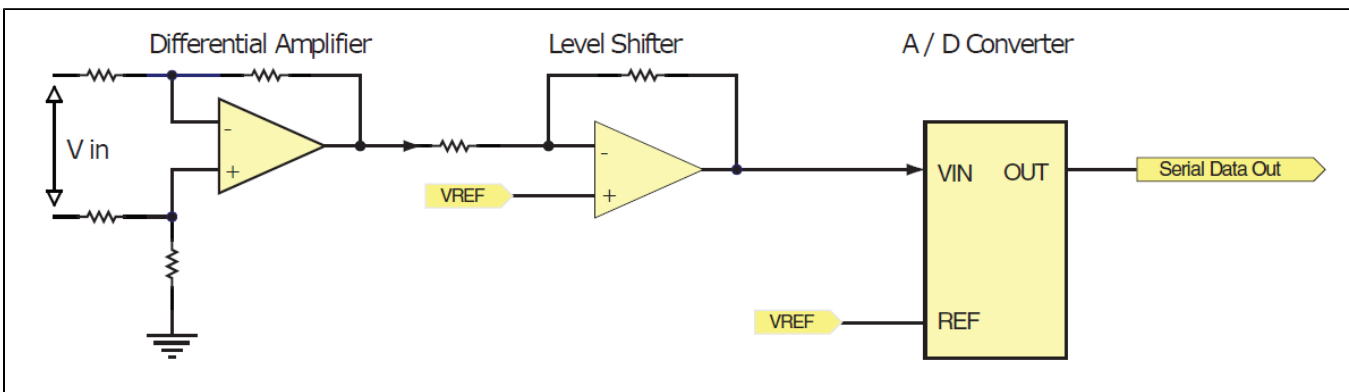
The OP4240-1 module provides 16 differential analog input channels. Each channel uses a 16-bit resolution analog-to-digital converter. By default, the maximum input signal is set to ± 20 volts.

Features

- 16 differential analog input channels
- All inputs are sampled simultaneously for additional simulation They can be sampled up to 400 kS/s
- 16-bit resolution
- ± 20 V input range

Schematics

The figure below represents a simplified schematic of one channel of the OP4240-1 modules. It is composed of three stages: the first stage consists of one operational amplifier that works in differential input mode and permits gain adjustment; the second stage, the level shifter, forms the signal for the A/D converter input; the third stage occurs after the conversion to the digital type, as the signal is sent to the carrier board.



The OP4240-1 cassette includes the [OP5340-1](#) mezzanine card.