

# OP78E0 Type-E Conditioning Carrier



- [Description](#)
- [Analog Output Configuration](#)
- [Analog Input Configuration](#)
- [Connector Pin Assignments](#)
- [Specifications](#)

## Description

The standard analog modules, such as the OP5330 and OP5340, that get installed on the front Op7220 of the chassis are designed to operate in  $\pm 16V$  voltage mode. The back slot corresponding to the OP7220 slot can be used for extra analog signals conditioning with the help of the OP78E0 carrier board.

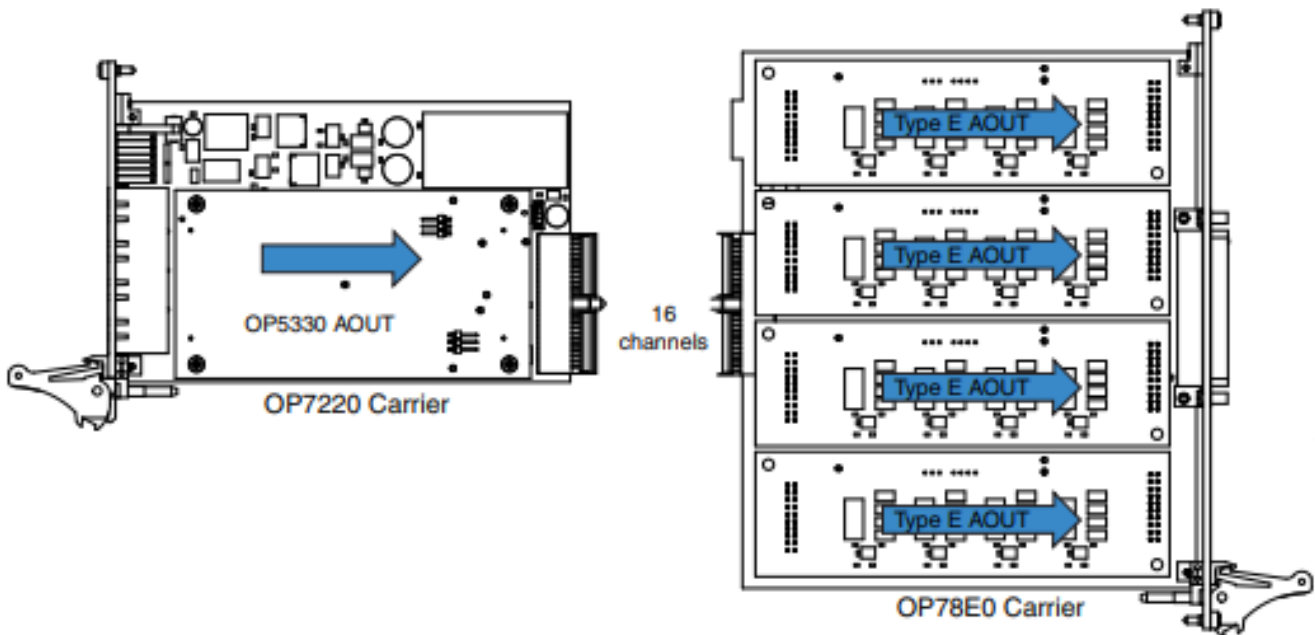
The OP78E0 carrier board is divided into four sections of four channels each for a total of sixteen channels. Each section can accommodate any OP7800 (Type-E) module .

The choice of modules is determined by the module type installed on the OP7220 on the front of the chassis, all four modules must have the same signal direction (input or output).

## Analog Output Configuration

**When used with an OP5330 analog output converter module, each section of four channels can receive a different analog out module:**

## POST CONDITIONING CONFIGURATION



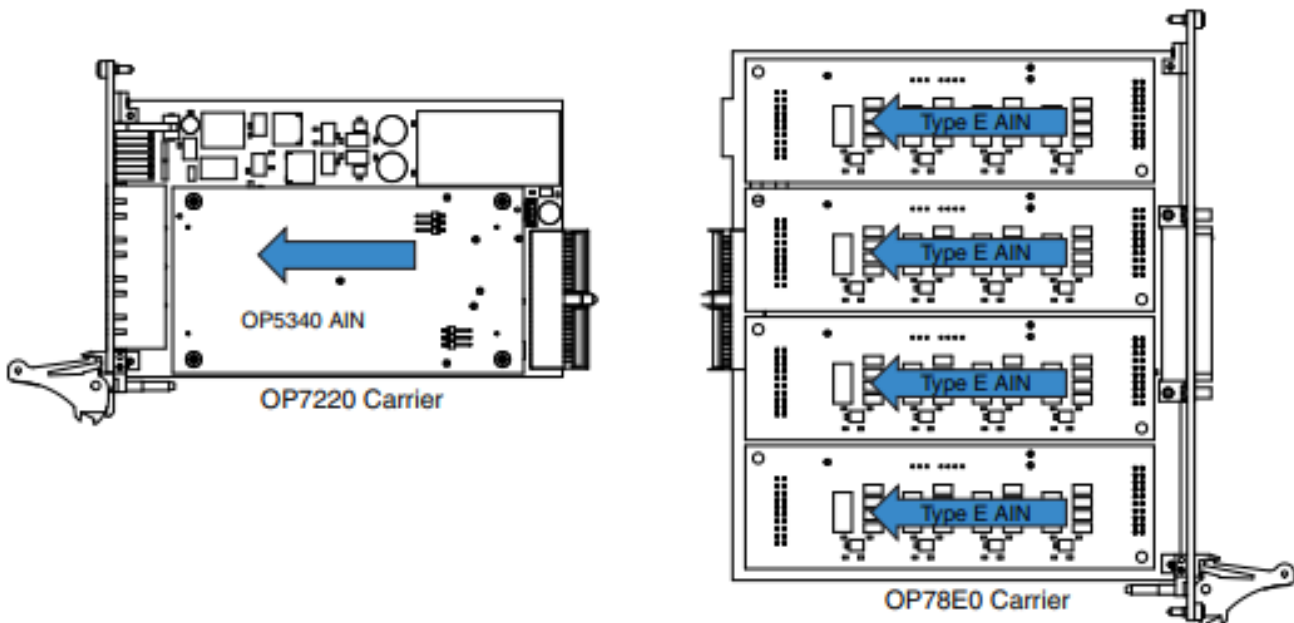
Examples of available modules (see the full list in [OP8E00 Conditioning Modules - General Information](#)):

- OP8E03, analog to current output
- OP8E01, prototyping analog PCB
- OP8E00, analog passthrough option when no conditioning is required

## Analog Input Configuration

When used with an OP5340 analog input converter module, each section of four channels can receive a different analog input module:

## PRE CONDITIONING CONFIGURATION



Examples of available modules (see the full list in [OP8E00 Conditioning Modules - General Information](#)):

- OP8E02, current to analog input
- OP8E04, high voltage input
- OP8E01, prototyping analog PCB
- OP8E00, analog passthrough option when no conditioning is required

## Connector Pin Assignments

OP78E0/Module	DB37F	Channels	DB37F	Channels	
A	1	+CH00	20	-CH00	
	2	+CH01	21	-CH01	
	3	+CH02	22	-CH02	
	4	+CH03	23	-CH03	
B	5	+CH04	24	-CH04	
	6	+CH05	25	-CH05	
	7	+CH06	26	-CH06	
	8	+CH07	27	-CH07	
C	9	+CH08	28	-CH08	
	10	+CH09	29	-CH09	
	11	+CH10	30	-CH10	
	12	+CH11	31	-CH11	
D	13	+CH12	32	-CH12	
	14	+CH13	33	-CH13	
	15	+CH14	34	-CH14	
	16	+CH15	35	-CH15	

## Specifications

<b>Product name</b>	<b>OP78E0</b>
Part number	126-0417
Product type	OP7000 back carrier board for OP8E00 (Type E) I/O conditioning modules
Number of channels	Up to 16, on four 4-channel modules
Operating voltage	Dependent on modules installed
Dimensions	18.8 x 16.4 cm (7.4 in x 6.46 in)
I/O connector	One DB37F
Operating temperature	10 to 40 °C (50 to 104°F)
Storage temperature	-55 to 85°C (-67 to 185°F)
Relative humidity	10 to 90%, non-condensing
Maximum altitude	2,000 m (6562 ft.)

